

GD54/74HC58, GD54/74HCT58

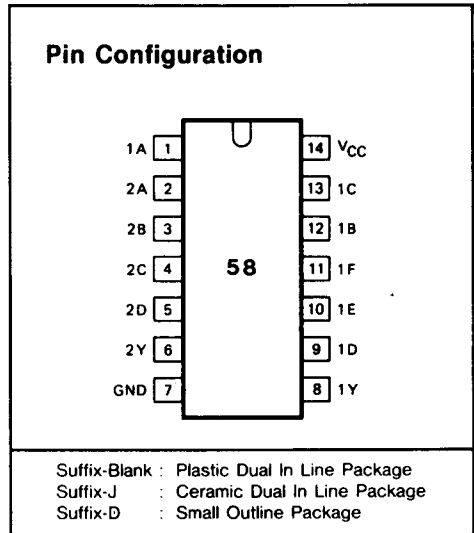
DUAL AND-OR GATES

General Description

These devices are identical in pinout to the 54/74LS58. They contain one 2-wide 2-input & one 2-wide 3-input AND-OR gates. These devices are characterized for operation over wide temperature ranges to meet industry and military specifications.

Features

- Low Power consumption characteristic of CMOS devices
- Output drive capability: 10 LS TTL Loads Min.
- Operating speed superior to LS TTL
- Wide operating voltage range: for HC 2 to 6 volts
for HCT 4.5 to 5.5 volts
- Low input current: 1μA Max.
- Low quiescent current: 20μA Max. (74HC)
- High noise immunity characteristic of CMOS
- Diode protection on all inputs.



Logic Symbol

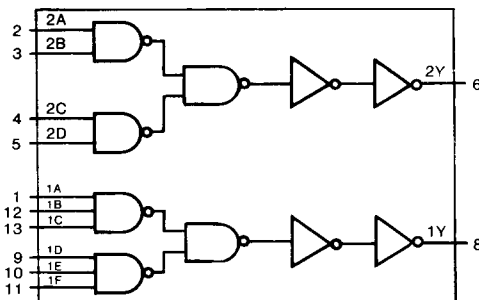


Fig. 1 Logic Symbol

Function Table

INPUTS		OUTPUT
N*	M*	nY
L	L	L
H	L	H
L	H	H
H	H	H

$N^* = 1A \cdot 1B \cdot 1C \text{ or } 2A \cdot 2B$
 $M^* = 1D \cdot 1E \cdot 1F \text{ or } 2C \cdot 2D$
 $1Y = 1A \cdot 1B \cdot 1C + 1D \cdot 1E \cdot 1F$
 $2Y = 2A \cdot 2B + 2C \cdot 2D$

Absolute Maximum Ratings

SYMBOL	PARAMETER	CONDITIONS	MIN.	MAX.	UNIT
V_{CC}	DC Supply voltage		-0.5	+7	V
I_{IK}, I_{OK}	DC input or output diode current	for $V_I < -0.5$ or $V_I > V_{CC} + 0.5V$		20	mA
I_O	DC output source or sink current	for $-0.5V < V_O < V_{CC} + 0.5V$		25	mA
I_{CC}	DC V_{CC} or GND current			50	mA
T_{stg}	Storage temperature range		-65	150	°C
P_D	Power dissipation per package	above +70°C: derate linearly with 8mW/K		500	mW
T_L	Lead temperature	At distance 1/16±1/32 in. from case for 60 sec(CERAMIC) 10 sec(PLASTIC)		300 260	°C

Recommended Operating Conditions

CHARACTERISTIC	LIMITS		UNITS
	MIN.	MAX.	
Supply-Voltage Range V_{CC} : GD54/74HC Types GD54/74HCT Types	2 4.5	6 5.5	V
DC Input or Output Voltage V_I, V_O	0	V_{CC}	V
Operating Temperature T_A : GD74 Types GD54 Types	-40 -55	+85 +125	°C
Input Rise and Fall times t_r, t_f : GD54/74HC Types at 2V at 4.5V at 6V GD54/74HCT Types at 4.5V		1000 500 400 500	ns

DC Electrical Characteristics for HC

SYMBOL	PARAMETER	TEST CONDITION	V _{CC} (V)	T _A =25°C			GD74HC58		GD54HC58		UNIT	
				MIN.	TYP.	MAX.	MIN.	MAX.	MIN.	MAX.		
V _{IH}	HIGH level input Voltage		2.0	1.5			1.5		1.5		V	
			4.5	3.15		3.15		3.15				
			6.0	4.2		4.2		4.2				
V _{IL}	LOW level input voltage		2.0							0.3	V	
			4.5			0.3		0.9		0.9		
			6.0			1.2		1.2		1.2		
V _{OH}	HIGH level output voltage	V _{IN} =V _{IH}	I _{OH} =-20μA	2.0	1.9	2.0		1.9		1.9		V
				4.5	4.4	4.5		4.4		4.4		
				6.0	5.9	6.0		5.9		5.9		
		or V _{IL}	I _{OH} =-4mA I _{OH} =-5.2mA	4.5	3.98	4.3		3.84		3.7		
				6.0	5.48	5.2		5.34		5.2		
V _{OL}	LOW level output voltage	V _{IN} =V _{IH}	I _{OL} =20μA	2.0			0.1		0.1		0.1	V
				4.5			0.1		0.1		0.1	
				6.0			0.1		0.1		0.1	
		or V _{IL}	I _{OL} =4mA I _{OL} =5.2mA	4.5		0.17	0.26		0.33		0.4	
				6.0		0.15	0.26		0.33		0.4	
I _{IN}	Input leakage Current	V _{IN} =V _{CC} or GND	6.0			0.1		1.0		1.0	μA	
I _{CC}	Quiescent Supply Current	V _{IN} =V _{CC} or GND I _{out} =0μA	6.0			2		20		40	μA	

DC Electrical Characteristics for HCT

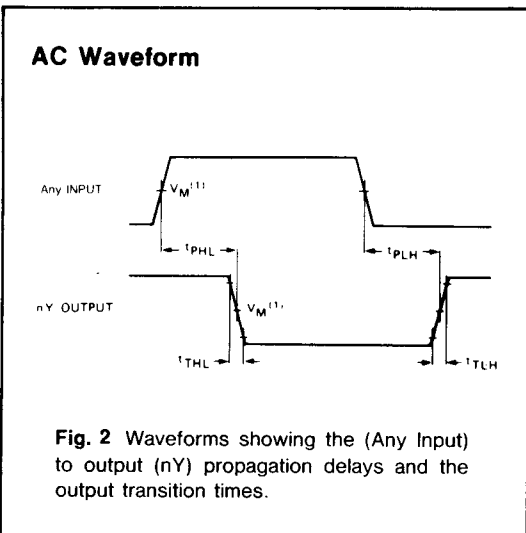
SYMBOL	PARAMETER	TEST CONDITION	V _{CC} (V)	T _A =25°C			GD74HCT58		GD54HCT58		UNIT	
				MIN.	TYP.	MAX.	MIN.	MAX.	MIN.	MAX.		
V _{IH}	HIGH level input Voltage		4.5								V	
			to	2.0			2.0		2.0			
			5.5									
V _{IL}	LOW level input voltage		4.5								V	
			to			0.8		0.8		0.8		
			5.5									
V _{OH}	HIGH level output voltage	V _{IN} =V _{IH}	I _{OH} =-20μA	4.5	4.4	4.5		4.4		4.4		V
				4.5	3.98	4.3		3.84		3.7		
				4.5								
		or V _{IL}	I _{OH} =-4mA	4.5								
				4.5	3.98	4.3		3.84		3.7		
				4.5								
V _{OL}	LOW level output voltage	V _{IN} =V _{IH}	I _{OL} =20μA	4.5			0.1		0.1		0.1	V
				4.5			0.1		0.1		0.1	
				4.5			0.1		0.1		0.1	
		or V _{IL}	I _{OL} =4mA	4.5		0.17	0.26		0.33		0.4	
				4.5		0.17	0.26		0.33		0.4	
				4.5								
I _{IN}	Input leakage Current	V _{IN} =V _{CC} or GND	5.5			0.1		1.0		1.0	μA	
I _{CC}	Quiescent Supply Current	V _{IN} =V _{CC} or GND I _{out} =0μA	5.5			2		20		40	μA	

AC Characteristics for HC: $t_r=t_f=6\text{ns}$ $C_L=50\text{pF}$

SYMBOL	PARAMETER	V _{CC} (V)	T _A =25°C			GD74HC58		GD54HC58		UNIT
			MIN.	TYP.	MAX.	MIN.	MAX.	MIN.	MAX.	
t _{PLH} / t _{PHL}	Propagation delay time Any Input to nY	2.0		54	125		158		186	ns
		4.5		13	25		32		37	
		6.0		11	21		27		32	
t _{TLH} / t _{THL}	Output transition time	2.0		28	75		95		110	ns
		4.5		8	15		19		22	
		6.0		7	13		16		19	

AC Characteristics for HCT: $t_r=t_f=6\text{ns}$ $C_L=50\text{pF}$

SYMBOL	PARAMETER	V _{CC} (V)	T _A =25°C			GD74HCT58		GD54HCT58		UNIT
			MIN.	TYP.	MAX.	MIN.	MAX.	MIN.	MAX.	
t _{PLH} / t _{PHL}	Propagation delay time Any Input to nY	4.5		17	29		36		41	ns
t _{TLH} / t _{THL}	Output transition time	4.5		8	15		19		22	ns



Note to AC waveform

- (1) HC : V_M=50%. V_I=GND to V_{CC}
- HCT: V_M=1.3V. V_I=GND to 3V.